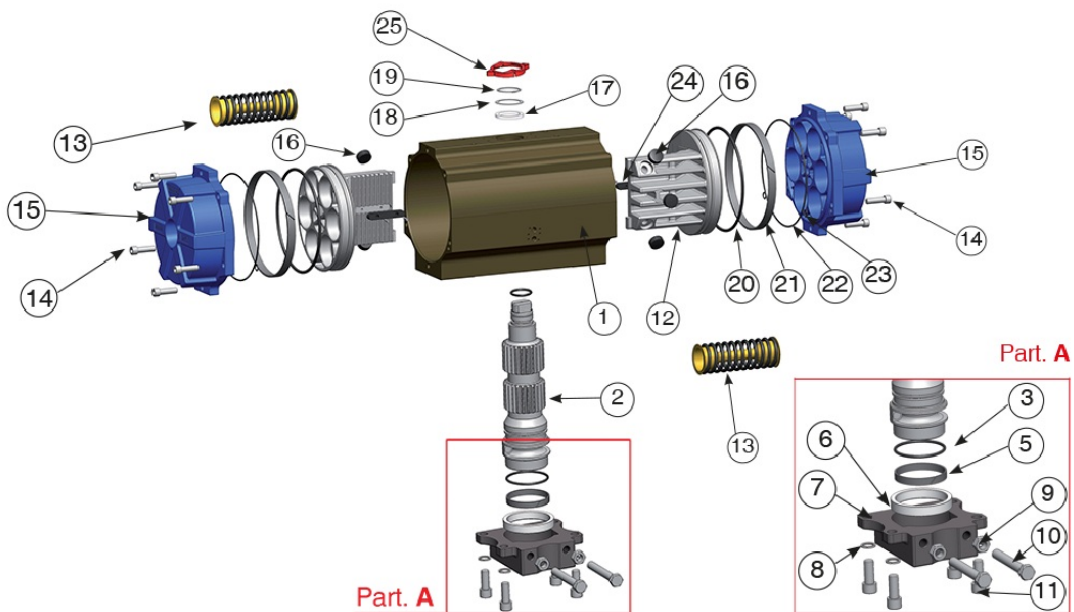
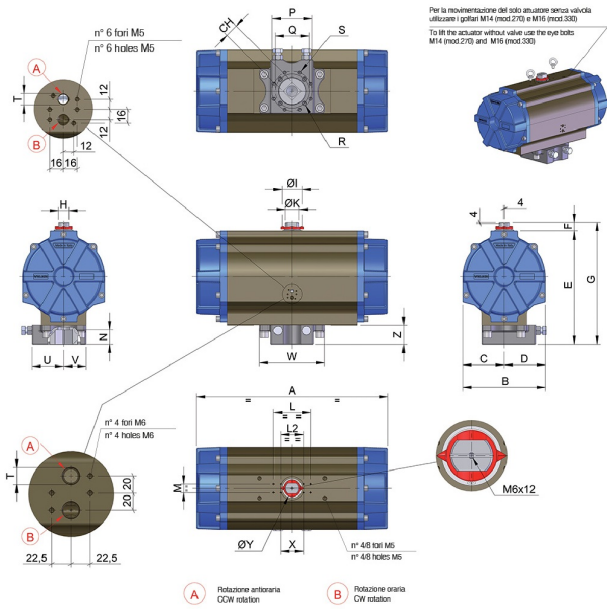


MOD. 270



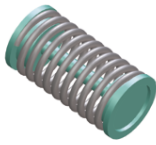
Spécifications techniques





VALIDO DA MOD. 230 A MOD. 330
VALID FROM MOD. 230 TO MOD. 330

SET DI MOLLE
SPRING SETS



MOLLA UNICA PRECOMPRESSA
PRETENSIONED SPRING

| SET | N° MOLLE PER LATO N° OF SPRINGS FOR EACH SIDE | MOD.230 | MOD.270 e 330 |
|-----|--|---------|---------------|
| 01 | 2/3 | | |
| 02 | 3/3 | | |
| 03 | 3/4 | | |
| 04 | 4/4 | | |
| 05 | 4/5 | | |
| 06 | 5/5 | | |
| 07 | 5/6 | | |
| 08 | 6/6 | | |

| POSITION | NOM DE LA PIÈCE | MATÉRIEL | TREATMENT | N.° PIÈCES |
|----------|-------------------------|--|---------------|--------------------|
| 1 | Body | Extruded aluminium | Hard anodized | 1 |
| 2 | Anti-blowout pinion | Steel | Nickel plated | 1 |
| • 3 | O-ring | NBR/SILICONE/FKM | - | 1 |
| • 4 | O-ring | NBR/SILICONE/FKM | - | 1 |
| • 5 | Antifriction ring | P.T.F.E 15% graphite | - | 1 |
| • 6 | Antifriction ring | P.T.F.E | - | 1 |
| 7 | Plate | mod.330 C45 | Painted | 1 |
| 8 | Washer | Stainless steel | - | 4 |
| 9 | Stop bolt retaining nut | Stainless steel | - | 2 |
| 10 | Stop crew | Steel | Zinc plated | 2 |
| 11 | Fixing screws | Stainless steel | - | 4 |
| 12 | Piston | Die cast aluminium | - | 2 |
| 13 | Precompressed spring | Steel | Painted | See spring setting |
| 14 | End cap fixing screw | Stainless steel | - | mod. 270 12 |
| 14 | End cap fixing screw | mod. 330 16 | - | mod. 330 16 |
| • 15 | End cap | Die cast aluminium | Painted | 2 |
| • 16 | Thrust block | DELTRIN+MOS2 | - | mod.270 6 |
| 16 | Thrust block | mod.330 8 | - | mod.270 6 |
| 17 | Spacer ring | POM | - | 1 |
| • 18 | Pinion washer | Stainless steel | - | 1 |
| • 19 | Snap ring | Steel | Nickel plated | 1 |
| 20 | O-ring | NBR/SILICONE/FKM | - | 2 |
| 21 | Antifriction ring | P.T.F.E 15% graphite | - | 2 |
| 22 | O-ring | NBR/SILICONE/FKM | - | 2 |
| 23 | O-ring | NBR/SILICONE/FKM | - | mod. 270 4 |
| 24 | Anti blowout key | POM | - | 2 |
| 25 | Position indicator | Gomma termoplastica TPE Thermoplastic rubber TPE | - | 1 |

• Parts subject to wear

| MOD | FORATURA DRILLING ISO 5211 | CH | A | B | C | D | E | F | G | H | ØI | ØK | L | L2 | M | N | P | Q | R | S | T ISO 7/1 | U | V | W | Z | X | ØY |
|----------|----------------------------|----|-----|-----|-----|-----|-----|----|-----|----|----|----|-----|----|----|----|---|-----|--------|---|-----------|-----|----|-----|----|------|----|
| MOD. 270 | F16 | 46 | 672 | 290 | 145 | 145 | 399 | 30 | 429 | 36 | 70 | 50 | 130 | 80 | 30 | 50 | / | 165 | M20X30 | / | 1/4" | 111 | 79 | 230 | 68 | 80,5 | 60 |

Applications



FOOD & BEVERAGE



HVAC



PULP & PAPER



PAINTS & SOLVENTS



WATER TREATMENT



CHEMICAL



OEM



OIL & GAS