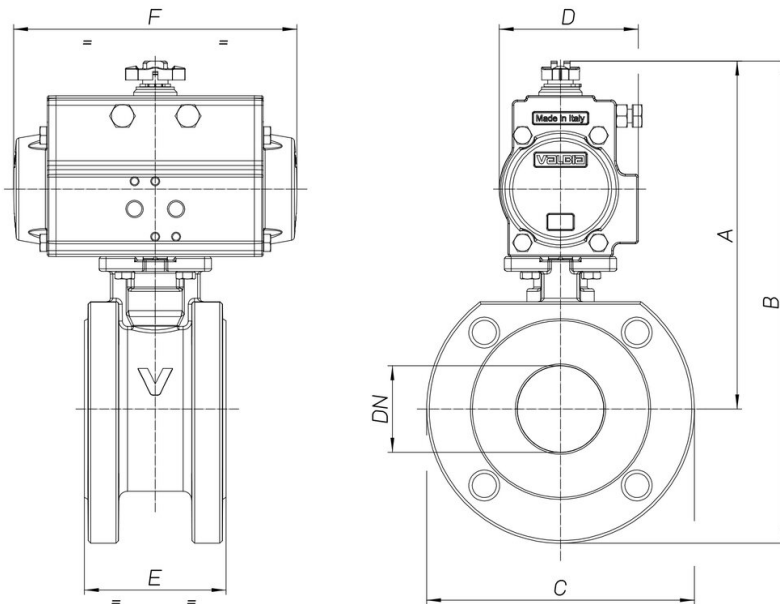


## 8P090800



2 way Wafer ball valve [Valpres art. 724100] flanged  
ANSI 150, carbon steel LCB, full bore, antistatic device,  
ISO 5211 pad direct.

### Especificaciones técnicas



<b>MOD</b>	<b>PN</b>	<b>A</b>	<b>B</b>	<b>C</b>	<b>D</b>	<b>E</b>	<b>F</b>	<b>ACT.</b>	<b>RI</b>
8P09080006	20	172	227	110	81	48	164	SR 63	5162
8P09080007	20	185	250	130	81	54	164	SR 63	5162
8P09080008	20	211	281	140	95	64	210	SR 75	5164
8P09080010	20	219	297	155	95	82	210	SR 75	5164
8P09080012	20	255	345	180	106	103	241	SR 85	5259
8P09080014	20	278	373	190	123	122	275	SR 100	5167
8P09080018	20	326	437	220	137	152	333	SR 115	5168