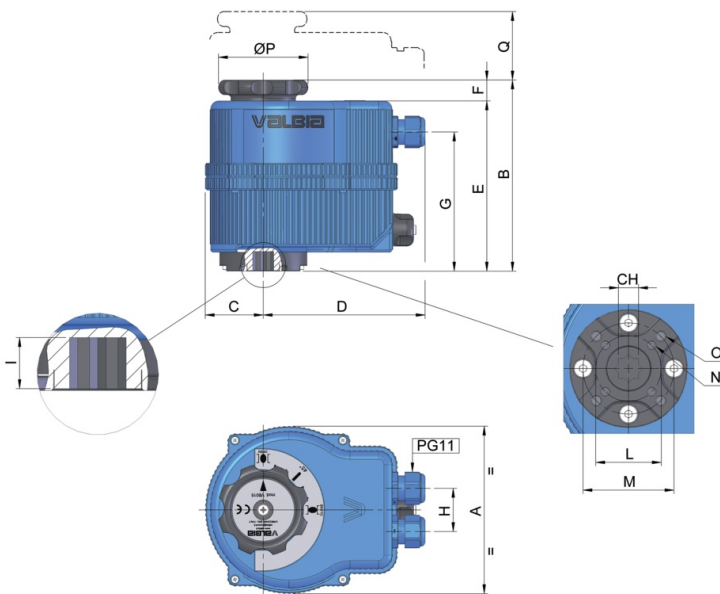


MOD. VB015



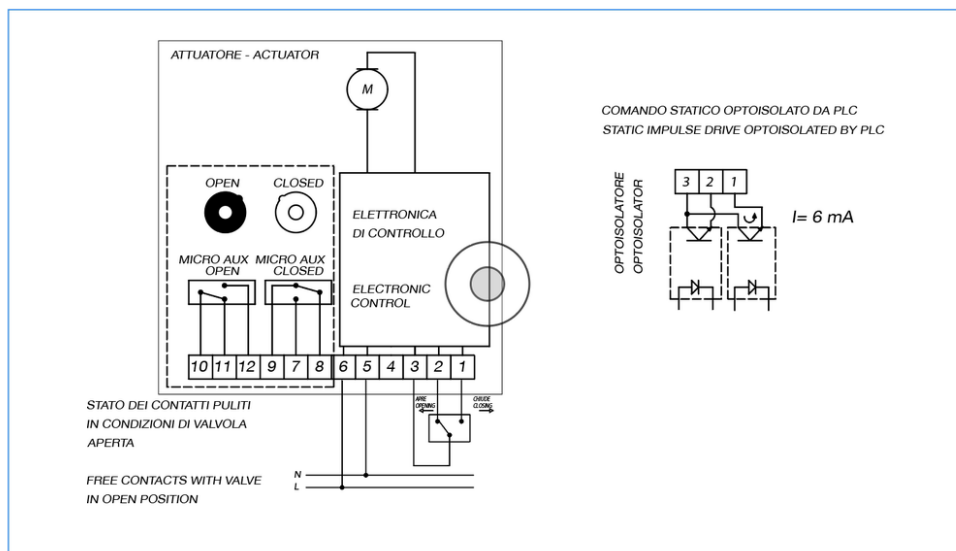
Especificaciones técnicas



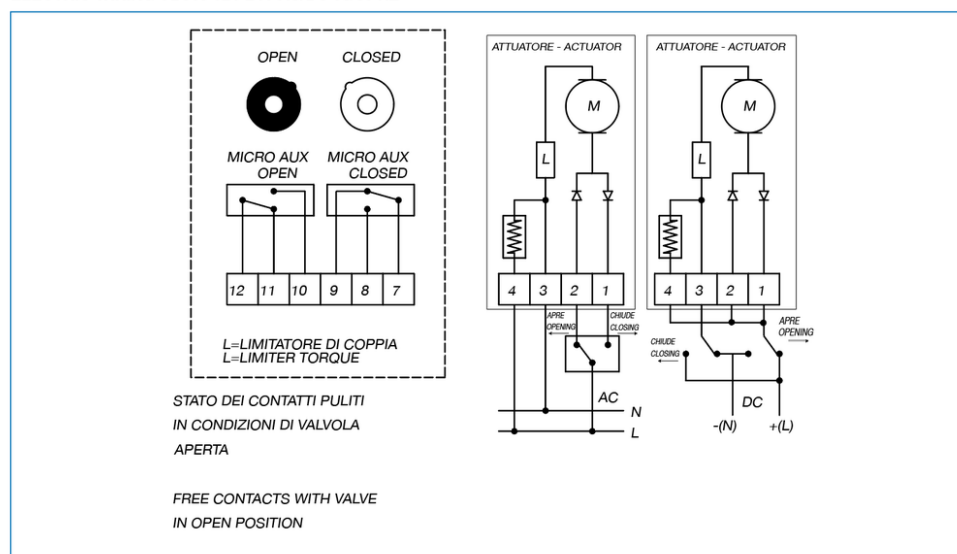
MOD	FORATURA DRILLING ISO 5211	CH	A	B	C	D	E	F	G	H	I	L	M	N	O	ØP	Q
MOD. VB015	F03-F05*	11	123	141,5	42,5	120,5	126	15,5	103	32	14	36	50	M5X12	M6X14	68	65

Diagramas electricos

SCHEMA ELETTRICO VB015 100-240V 50/60Hz
ELECTRIC WIRING VB015 100-240V 50/60Hz



SCHEMA ELETTRICO VB015 12V-24V AC/DC 50/60 HZ
ELECTRIC WIRING VB015 12V-24V AC/DC 50/60 HZ



Aplicaciones



FOOD &
BEVERAGE



HVAC



PAINTS &
SOLVENTS



WATER
TREATMENT



CHEMICAL



OEM



POWER &
RENEWABLE
ENERGY