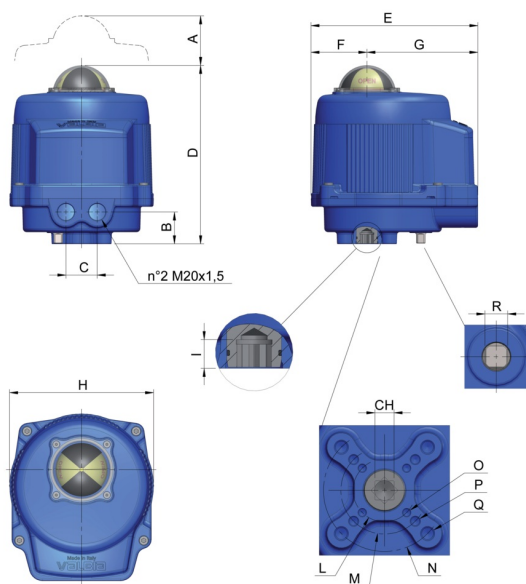


MOD. VB030M



Technische Spezifikationen



MOD	FORATURA DRILLING ISO 5211 FLANGE	CH	A	B	C	D	E	F	G	H	I	L	M	N	O	P	Q	R
MOD. VB030M	F03-F05-F07	11	139	36	35	199	187	63	124	161	12	36	50	70	M5X8	M6X10	M8X11	10

Anwendungen



FOOD &
BEVERAGE



HVAC



PAINTS &
SOLVENTS



WATER
TREATMENT



CHEMICAL



OEM



MARINE