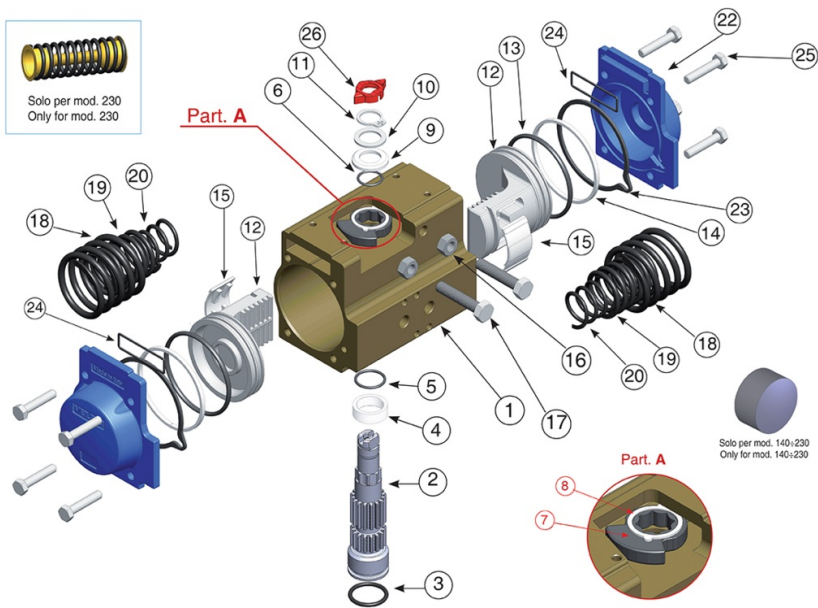


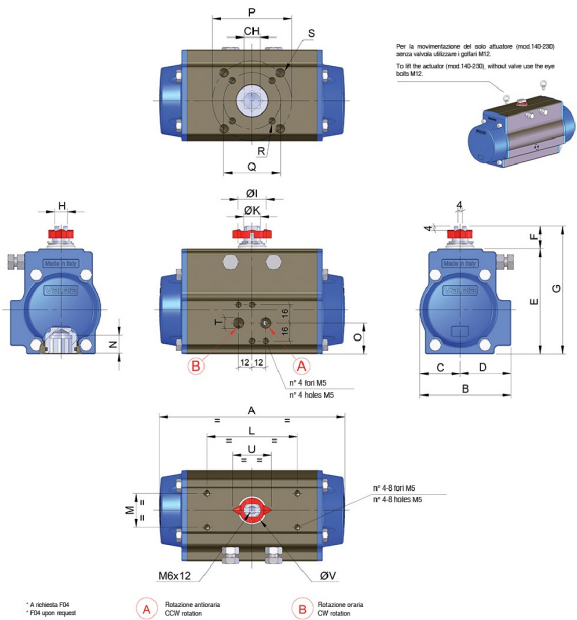
# MOD. 75



## Technische Spezifikationen

### Zeichnung





## Materialien

POSITION	TEILNAME	MATERIAL	NR. STÜCK
1	Body	Extruded aluminium	1
2	Anti-blowout pinion	Steel	1
3	O-ring	NBR	1
4	Spacer ring	POM	1
5	O-ring	NBR	1
6	O-ring	NBR	1
7	Cam	Stainless steel	1
8	Spacer	POM	1
9	Anello sotto seeger -Spacer	POM	1
10	Washer	Stainless steel	1
11	Snap ring	Steel	1
12	Piston	Die cast aluminium	2
13	O-ring	NBR	2
14	Antifriction ring	POM	2
15	Thrust block	POM	2 [4]
16	Stop bolt retaining nut	Stainless steel	2
17	Stop bolt	Stainless steel	2
18	External spring	Steel	-
19	Central spring	Steel	-
20	Internal spring	Steel	-
21	Left end cap	Die cast aluminium	1
22	Right end cap	Die cast aluminium	1
23	End cap seats	NBR	2
24	O-ring	NBR	2
25	End cap fixing screw	Stainless steel	8
26	Position indicator	Gomma termoplastica TPEThermoplastic rubber TPE	1

## Tabelle

MOD	FORATURA DRILLING ISO 5211	CH	A	B	C	D	E	F	G	H	ØI	ØK	L	M	N	O	P	Q	R	S	T ISO 7/1	U	ØV
MOD. 75	F05 - F07	17	210	94,5	42	52,5	111,1	20	131	13	29	19	80	30	19	35	70	50	M6X8	M8X12	1/8"	42	29

## Anmerkungen

Parts subject to wear Reinforced series DIN 471-UNI 7436 Valid for mod. 140-160-180-200-230 only.  
Only for mod. 160-180-200. Only square connection at 45°

# Anwendungen



FOOD & BEVERAGE



HVAC



PULP & PAPER



PAINTS & SOLVENTS



WATER TREATMENT



CHEMICAL



OEM



OIL & GAS